

ASC/DSC Self Aligning Accessories



FEATURES

- Capacities: 30 - 50t
- Hardened components at all bearing surfaces
- Self-aligning construction
- Stainless steel

DESCRIPTION

The ASC and DSC Self Aligning Set, provides weighing assemblies suitable for truck scale, rail scale and process weighing applications.

The Self Aligning Set is specially designed to be used in weighbridges without stay or check rods. Eccentric washers are used to ensure

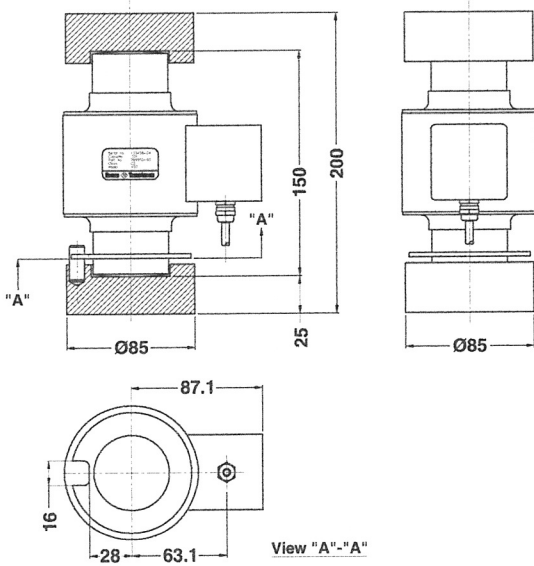
that the load cell is placed in a vertical position, and perpendicular to its mounting surfaces.

Long-term reliability is assured through the use of hardened corrosion resistive steel on all mount parts.

APPLICATIONS

- Truck and rail scale applications
- Silo and weighbridge applications

OUTLINE DIMENSIONS in mm



Mount	Assembly guidelines	P/N
Self Aligning Set	02/03-110/01	799863-00
Set of 3 eccentric washers		499125-00